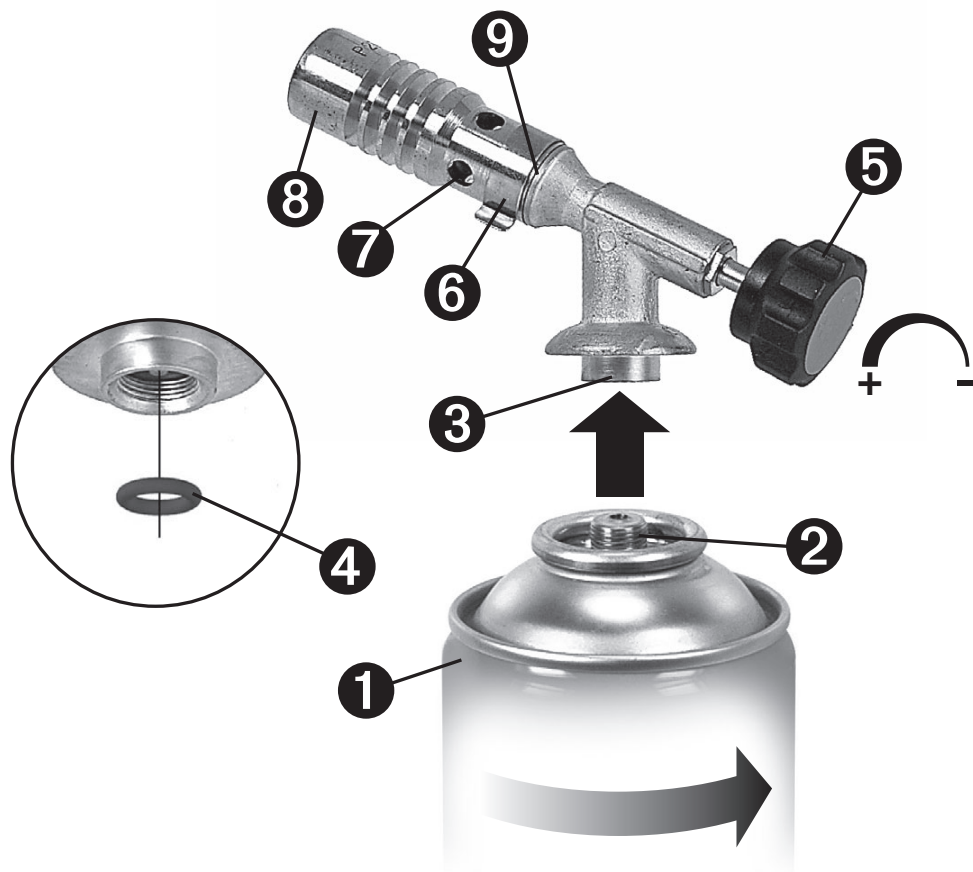


**Economic Blowtorch - 77722209****Introduction**

**Important: Read these instructions carefully so as to familiarise yourself with the appliance before connecting it to its gas container. Keep these instructions for future reference.**

## TECHNICAL SPECIFICATIONS

	gazcamp Economic Blowtorch No. 77722209
Appliance category	Direct pressure of pressurised gas cartridge (gas mix)
Flame temperature *	1,800 °C
Operating temperature *	650 °C
Gas consumption during normal use	140 g/h (1.8 kW)
Injector diameter	0.30 mm
Gas cartridge	The torch may only be used with gazcamp disposable pressurised gas cartridges.
* Temperature varies depending on the gas type used	It can be dangerous to connect the appliance to other types of gas cylinders.

## PART DESIGNATION (SEE FIGURES)

- |                                 |                               |   |
|---------------------------------|-------------------------------|---|
| 1. Pressurised gas cartridge    | 4. Seal                       | 8. Burner                               |
| 2. Gas cartridge threaded valve | 5. Gas regulator              | 9. Injector (not visible, lying inside) |
| 3. Appliance valve              | 6. Air supply regulating ring |   |
|                                 | 7. Air supply holes           |   |

The diagrams are for illustrative purposes only, the actual appliance may vary slightly. The manufacturer reserves the right to make changes without notice.

## SCOPE OF USE

This high-performance burner is ideal for soldering, warming, thawing and more. The appliance may be used only in accordance with the instructions in this manual and for no other purpose.

## Symbols used in this manual



Read the operating instructions



## Safety instructions

- Check that the seal between the appliance and the gas container is in place and in good condition before connecting the gas container. (see Part Designation No. 4).
- Never use the appliance if it has damaged or worn seals.
- Never use the appliance if it is leaking, damaged or if it does not function properly.
- The appliance should be operated only in a well-ventilated room. Observe the national requirements:
  - for the supply of combustion air
  - and to prevent the accumulation of dangerous amounts of un-burnt gas.
- This device must be operated at a safe distance from inflammable substances. Maintain a safe distance from inflammable materials.
- Replace the gas tank at a well-ventilated place, preferably in the open and away from all possible ignition sources such as open flames, ignition flames, electric cooking devices and away from other persons.
- Smoking is prohibited when handling the gas containers.
- If gas escapes from the device (smell of gas), take the device outdoors immediately to a well-ventilated location away from sources of ignition, where the leak can be safely detected and repaired. Take the appliance outdoors before checking for leaks. Never check for leaks using a flame; always use a soapy solution!
- Do not touch any hot parts of the appliance. Let the device cool down fully before putting it away.
- CAUTION: Accessible parts can be very hot. Keep children away from the appliance.
- If the appliance is not to be used over longer periods, keep it in a safe, cool, dry and well-ventilated place out of the reach of children.
- The gas container must be detached if the appliance is not to be used over longer periods, or if it is to be transported.
- **Keep vertical when ignited, as long as the appliance is warming up!**

## Assembly and Operation

### ASSEMBLY

Proceed as follows to connect the burner to a gas container:

- Before connecting the gas container, ensure that the seal between the device and the gas tank exists and is in good condition (see Part Designation No. 4).
- Ensure that the gas regulator is closed (see Part Designation No. 5).
- The threads on the pressurised gas cartridge and appliance valve are right handed threads. Screw the pressurised gas cartridge clockwise on to the appliance valve until the seal is airtight. Hold the pressurised gas cartridge upright when screwing it on to the valve. Do not use tools for this connection.
- Ensure that the connection is air-tight. To do this, immerse the appliance in water for at least two minutes. If there is bubble formation, the device is leaking.
- If gas escapes from the system (smell of gas or formation of bubbles during the leakage test), take the system outdoors immediately to a well-ventilated location away from sources of ignition where the leak can be safely detected and repaired. Take the device outdoors before checking for leaks. Never check for leaks using a flame; always use a soapy solution! Keep the appliance under observation until the gas has escaped from it fully.

The device is now assembled fully.

### OPERATION

Proceed as follows to light the appliance or to adjust the flame:

- Adjust the air supply regulating ring (Part Designation No. 6) as desired. The higher the air flow, the hotter the flame. Use a high flame temperature for soldering. For other applications a lower flame temperature can be more suitable.
- Open the gas regulator by approx. 1/4 turn in the anti-clockwise direction and ignite the device immediately on the burner with a gas lighter.
- Rotate the regulator knob (5) in the (+) plus or (-) minus direction (in anti-clockwise or clockwise direction) to adjust the output of the device until a full flame is produced.
- Keep vertical when ignited, as long as the appliance is warming up! If the device is cold or if it is operated with a new gas cartridge an irregular, unstable flame can be produced or 'flaring' may occur. This is normal and does not indicate a fault. The flame will stabilise within 2-3 minutes after the appliance has warmed up. Do not point the appliance upwards or downwards during this warm-up period.
- Always close the valve during breaks to extinguish the flame and prevent danger.

## FINISHING WORK - EXTINGUISHING THE FLAME

- After using the device, first shut the valve.
- Be sure to burn off any gas remaining in the torch and be sure that the flame is extinguished before you put the device down. This may take several seconds.
- After the flame has gone out, allow the device to cool down completely as parts of the device can become very hot even if the device is only used for a short while.
- The gas container must be detached if the burner is not to be used over longer periods, or if it is to be transported.

## Maintenance and Storage

### CHANGING GAS CARTRIDGES

CAUTION: Change the pressurised gas cartridge only outdoors or in well-ventilated rooms!

- Shut the valve by turning the regulator knob (Part Designation No. 5) clockwise.
- Be sure to burn off any gas remaining in the torch and be sure that the flame is extinguished before you put the device down.
- Unscrew the spent pressurised gas cartridge from the appliance valve by turning it anti-clockwise.
- Ensure that the valve is closed.
- Ensure that the seal in the regulator valve is in place and is undamaged. Replace the valve if necessary.
- Connect the pressurised gas cartridge to the device as described in the "Assembly" section.

### SEAL

Ensure that the rubber seal (See part designation no. 4) is intact and in excellent condition.

### GENERAL MAINTENANCE

- The device does not require any maintenance.
- The injector does not require any cleaning.
- Do not make any changes to the device.
- If the appliance develops a fault, have it repaired at a competent workshop or contact the manufacturer. The address is given at the bottom.

### STORAGE AND TRANSPORT

- If the appliance is not to be used over longer periods, keep it at a safe, cool, dry and well-ventilated place out of the reach of children.
- Protect the pressurised gas cartridge from sunlight and never expose the gas cartridge to temperatures above 50°C.
- Do not pierce or burn the pressurised gas cartridge even after use.
- The pressurised gas cartridge is not refillable and must be disposed of properly after use.
- The gas container must be detached if the burner is not to be used over longer periods, or if it is to be transported.

### RECYCLING

Worn out tools must be recycled at a suitable recycling facility. Do not dispose of in the household waste. For further information, please contact the responsible authorities. Please dispose of the packaging material in accordance with the material type as well as the local regulations in force in your area.

**Gazcamp GmbH®**  
**Hauptstr. 10**  
**04932 Röderland**  
**Germany**

**Tel: +49 3533 81 999 50**  
**Fax: +49 3533 81 999 51**  
**info@gazcamp.de**